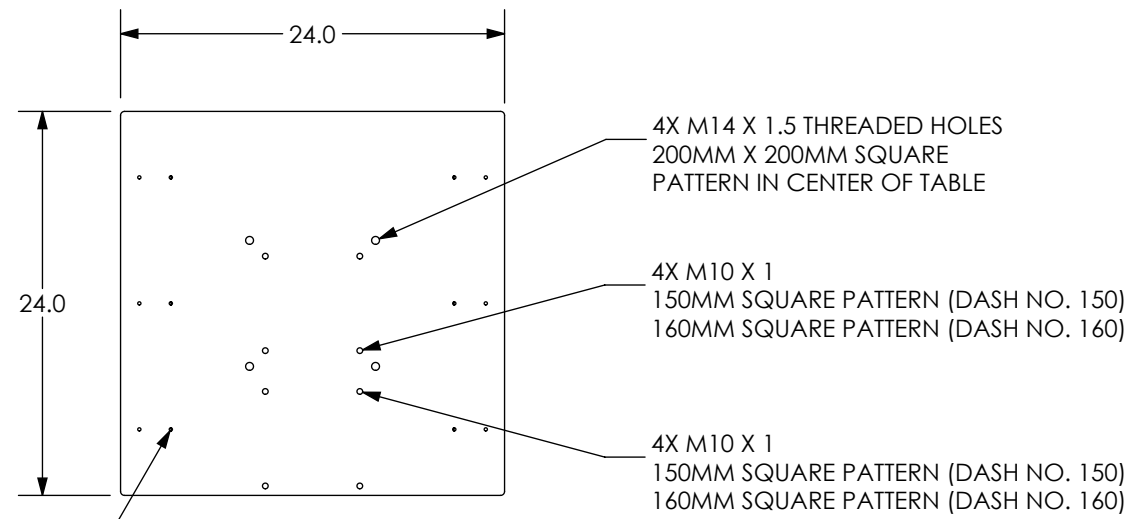


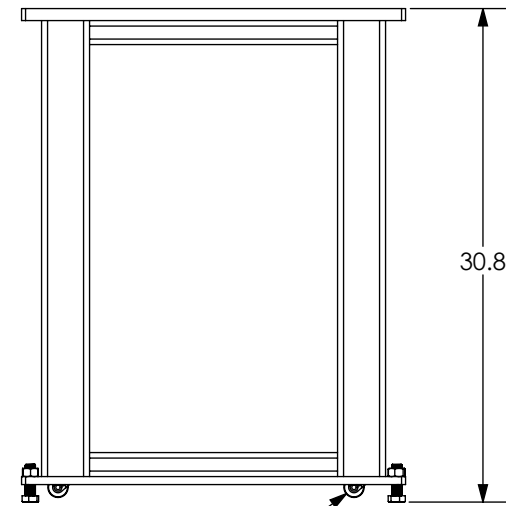
REV.	DESCRIPTION	DATE	APPROVED
A	RELEASED	11/01/2017	TO



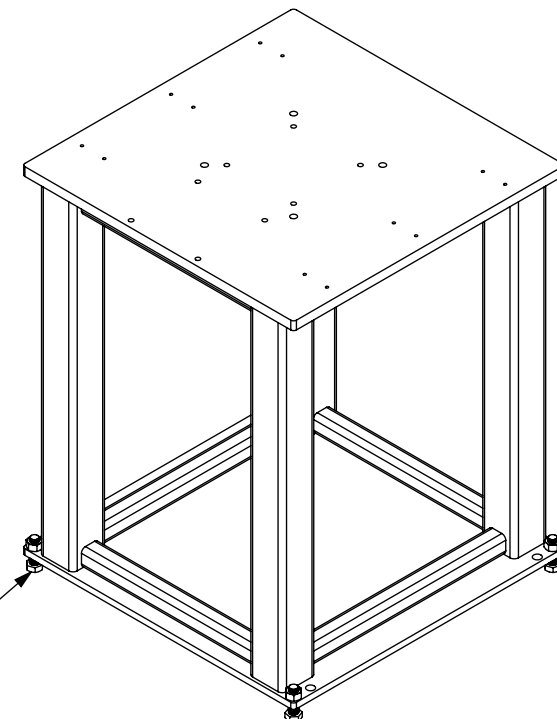
12X M6X1 HOLES FOR FIXTURE MOUNTING

STANDARD ROBOT FITMENT CHART			
ROBOT	P/N RD10014-150	P/N RD10014-160	NOTES
EPSON C3	✓		
EPSON C4	✓		
EPSON C8		✓	
EPSON S5		✓	
EPSON G6	✓		
EPSON G10	✓	✓	LOCATE @ CENTER
EPSON G20	✓	✓	LOCATE @ CENTER
DENSO VS-G		✓	
DENSO VS-068/087		✓	
UNIVERSAL UR3, UR5, UR10	*		SEE BELOW
RETHINK SAWYER	*		SEE BELOW

*UNIVERSAL AND RETHINK COLLABORATIVE ROBOTS MAY BE MOUNTED WITH AVAILABLE ALUMINUM ADAPTER PLATE



CASTERS 4X



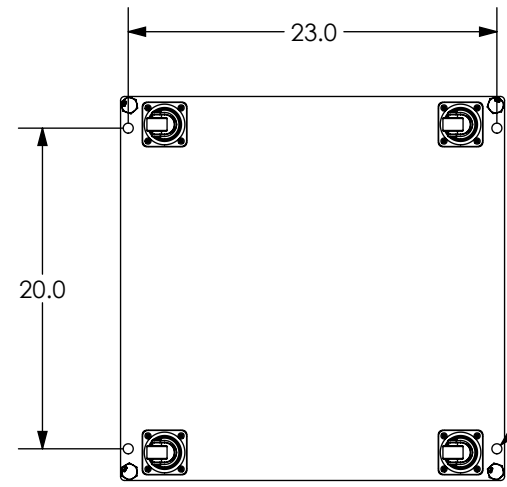
LEVELING BOLTS 4X

SPECS	
WEIGHT	APPROX 325LB
TOP PLATE MATERIAL	3/4" THICK GROUND STEEL PLATE
BOTTOM PLATE MATERIAL	1/2" THICK STEEL PLATE
FRAME MATERIAL	1/4" WALL STEEL TUBING

APPLICATION AND SAFETY NOTES:

- ROBOT CONTROLLER MAY BE MOUNTED ON BOTTOM PLATE OF STAND
- ROBOT STAND IS DESIGNED FOR USE ON CONCRETE FLOORS ONLY
- ROBOT SHOULD NEVER BE OPERATED WITHOUT STAND BOLTED TO CONCRETE FLOOR WITH CONCRETE ANCHORS*
- ROBOT SHOULD NEVER BE OPERATED WITHOUT THE STAND LEVELING BOLTS SCREWED DOWN AND LOCKED TO PREVENT STAND FROM ROLLING!
- TO ENSURE SAFETY, A SAFEGUARD MUST BE INSTALLED FOR THE ROBOT SYSTEM. PLEASE CONSULT WITH YOUR ROBOT SUPPLIER OR INTEGRATOR FOR MORE INFORMATION

*SOME COLLABORATIVE ROBOTS MAY BE OPERATED WITHOUT THE STAND BEING ANCHORED TO THE FLOOR- PLEASE CONSULT WITH YOUR ROBOT SUPPLIER OR INTEGRATOR FOR MORE INFORMATION



4X 5/8" (16MM) HOLES THRU BOTTOMPLATE FOR ANCHORS

THIS DOCUMENT AND THE INFORMATION CONTAINED HEREIN ARE PROPRIETARY TO RAPID DESIGN SOLUTIONS, LLC AND SHALL NOT BE USED BY, OR DISCLOSED IN WHOLE OR IN PART TO ANYONE OUTSIDE OF RAPID DESIGN SOLUTIONS, LLC WITHOUT THE PRIOR WRITTEN PERMISSION OF RAPID DESIGN SOLUTIONS, LLC.

DRAWN TROY OJALEHTO	DATE 11/01/2017		RAPID DESIGN SOLUTIONS, LLC									
CHECKED	DATE		TITLE	MOBILE ROBOT STAND								
ENGINEER	DATE	<small>UNLESS OTHERWISE SPECIFIED DIMENSIONS ARE IN TOLERANCES ARE: .X = ±.1 .XX = ±.010 .XXX = ±.005 .XXXX = ±.0010 ANGLE = ±1/2° DO NOT SCALE DRAWING</small>	LEGEND:	<table border="1"> <tr> <td>■</td> <td>CRITICAL DIM.</td> </tr> <tr> <td>●</td> <td>TOOLING DIM.</td> </tr> <tr> <td>▲</td> <td>PROCESS DIM.</td> </tr> <tr> <td>XX</td> <td>DIMENSION ID.</td> </tr> </table>	■	CRITICAL DIM.	●	TOOLING DIM.	▲	PROCESS DIM.	XX	DIMENSION ID.
■	CRITICAL DIM.											
●	TOOLING DIM.											
▲	PROCESS DIM.											
XX	DIMENSION ID.											
COG ENGR	DATE	SIZE	THIRD ANGLE PROJECTION									
MFG ENGR	DATE	B	PART NUMBER									
TOOLING	DATE		RD10014-XXX									
QUALITY	DATE		SCALE									
RELEASED	DATE		SHEET									
			1 OF 1									