

8 7 6 5 4 3 2 1

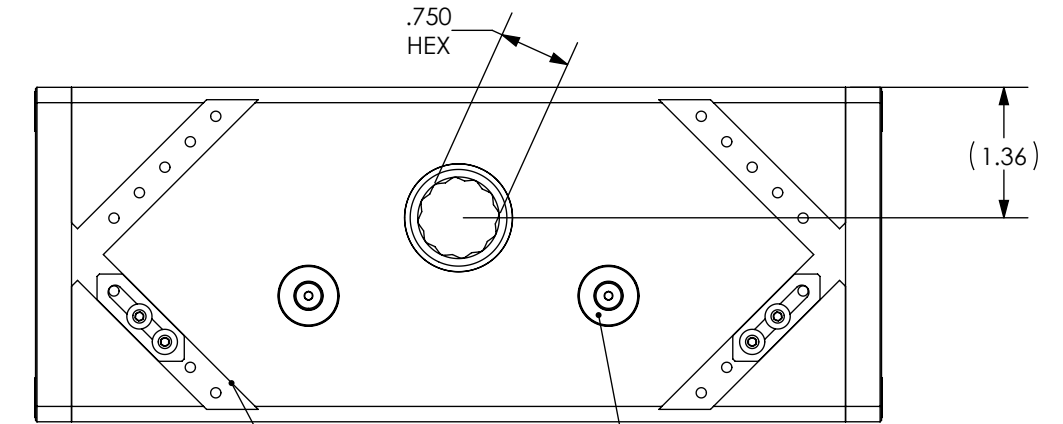
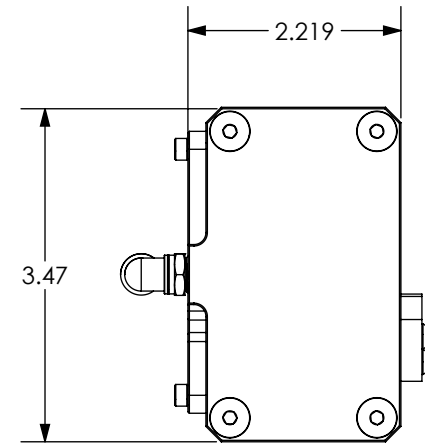
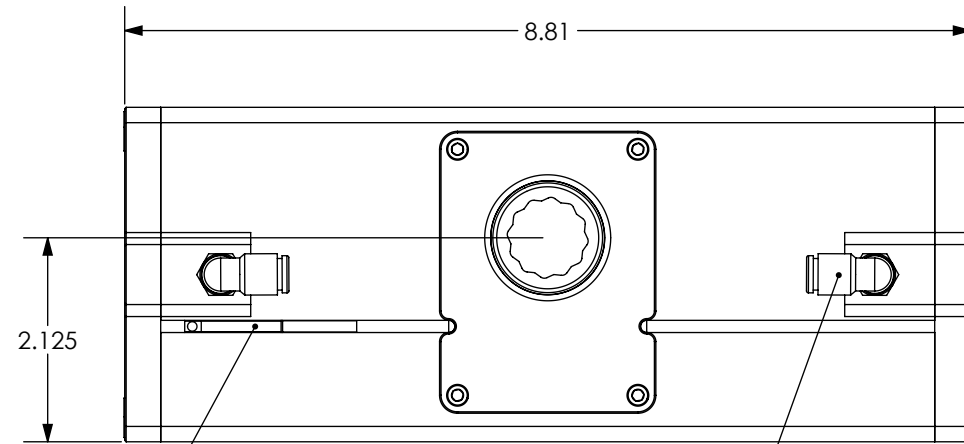
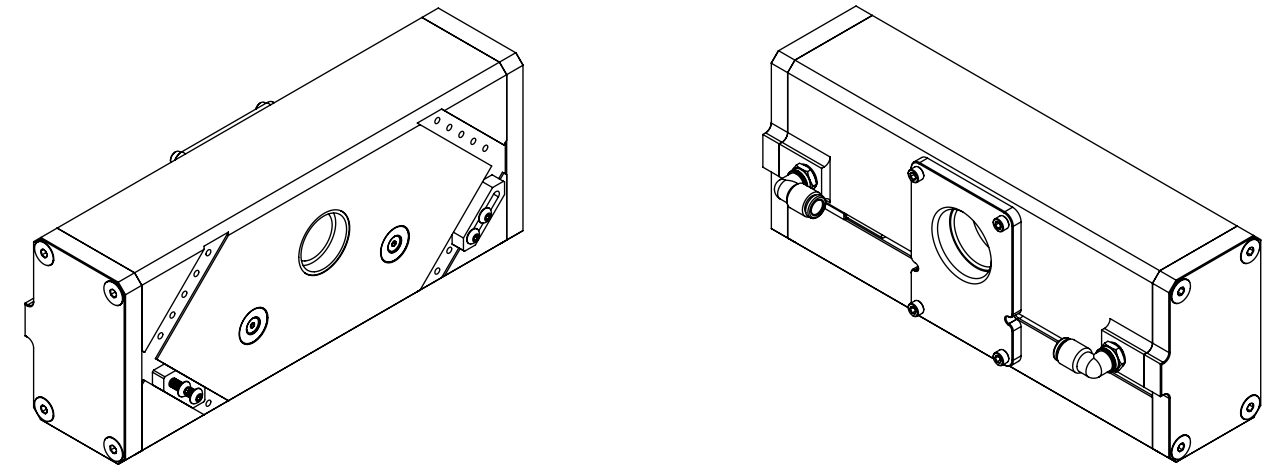
SPECIFICATIONS:

1. MATERIAL: HARD ANODIZED ALUMINUM AND STEEL
2. MAX PRESSURE 125 PSIG
3. VISE CLOSING TORQUE: ADJUSTABLE FROM 5 TO 30 FT-LB
4. 225 DEGREES VISE HANDLE ROTATION
5. 1/4" PUSH TO CONNECT AIR LINE FITTINGS INCLUDED (1/8 NPT)
6. OPTIONAL VISE OPEN AND VISE CLOSED SENSORS AVAILABLE

REV.	DESCRIPTION	DATE	APPROVED
A	SALES DWG RELEASE	6/01/2018	T.OJALEHTO

PNEUMATIC VISE ACTUATOR FOR MACHINE TENDING ROBOTIC WORK CELLS!

This high precision vise actuator/closer helps you automate your CNC by allowing a Robot to load and unload the workpiece without a human operator. Works with almost any existing 6" milling machine vise saving you the high cost of new hydraulic vises and pump systems when you need to quickly automate your existing processes! Order with available IP67 switches for a closed loop workholding system.



4MM C-SLOT FOR OPTIONAL IP67 VISE OPEN AND CLOSE SWITCHES

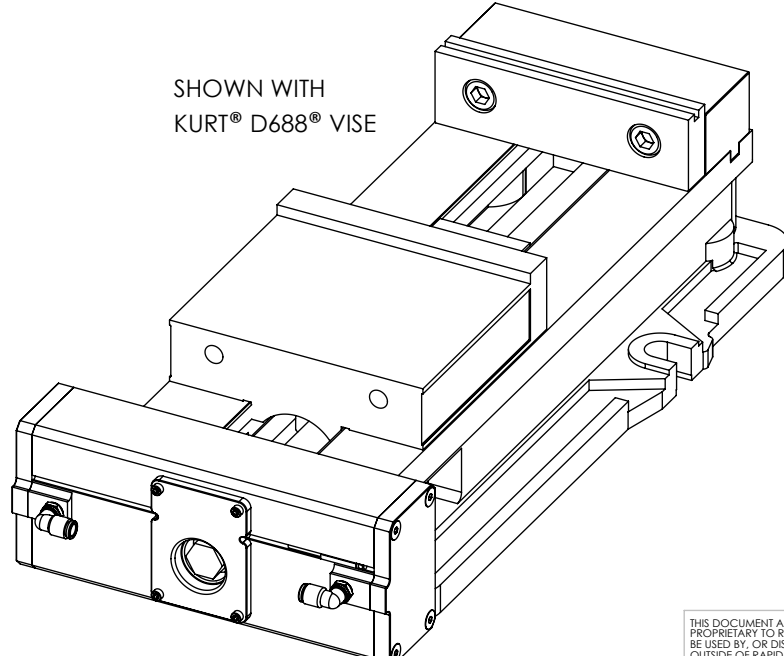
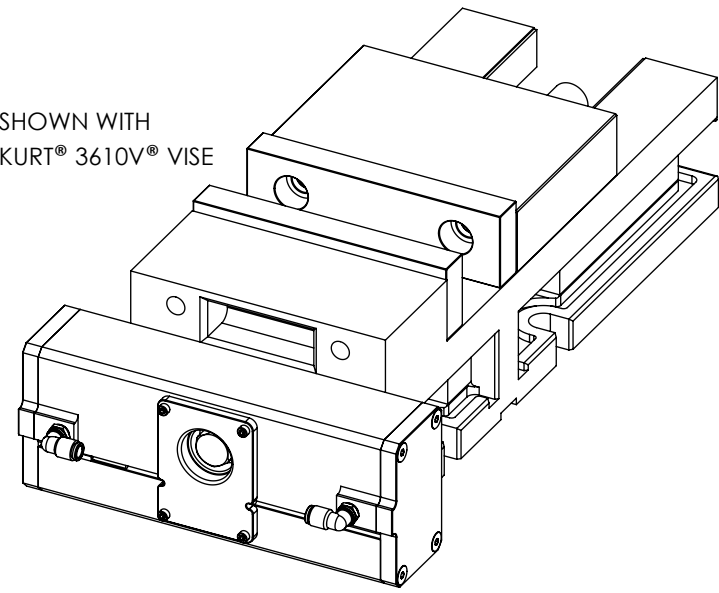
1/4" QUICK DISCONNECT FITTINGS

ANTI-ROTATION STOPS QUICKLY ADJUST TO ANY 6" VISE

MAGNETIC MOUNTS SNAP THE VISE CLOSER SECURELY INPLACE WHILE ALLOWING QUICK REMOVAL AND ADJUSTMENT

SHOWN WITH KURT® 3610V® VISE

SHOWN WITH KURT® D688® VISE



PATENT PENDING

DRAWN	TROY OJALEHTO	DATE	6/01/2018
CHECKED		DATE	
ENGINEER		DATE	
ENGINEER		DATE	
COG ENGR		DATE	
MFG ENGR		DATE	
TOOLING		DATE	
QUALITY		DATE	
RELEASED		DATE	

RAPID
DESIGN SOLUTIONS, LLC

UNLESS OTHERWISE SPECIFIED DIMENSIONS ARE IN TOLERANCES ARE:
 .X=±.030
 .XX=±.010
 .XXX=±.005
 .XXXX=±.0010
 ANGLE=±1/2°
 DO NOT SCALE DRAWING

LEGEND:
 ■ CRITICAL DIM.
 ● TOOLING DIM.
 ▲ PROCESS DIM.
 XX DIMENSION ID.

RAPID DESIGN SOLUTIONS, LLC		TITLE	PNEUMATIC MACHINE TOOL VISE ACTUATOR SALES DRAWING
SIZE	THIRD ANGLE PROJECTION	PART NUMBER	RD10024
B		SCALE	
REV	A	SHEET	1 OF 1

THIS DOCUMENT AND THE INFORMATION CONTAINED HEREIN ARE PROPRIETARY TO RAPID DESIGN SOLUTIONS, LLC AND SHALL NOT BE USED BY, OR DISCLOSED IN WHOLE OR IN PART TO ANYONE OUTSIDE OF RAPID DESIGN SOLUTIONS, LLC WITHOUT THE PRIOR WRITTEN PERMISSION OF RAPID DESIGN SOLUTIONS, LLC.

8 7 6 5 4 3 2 1