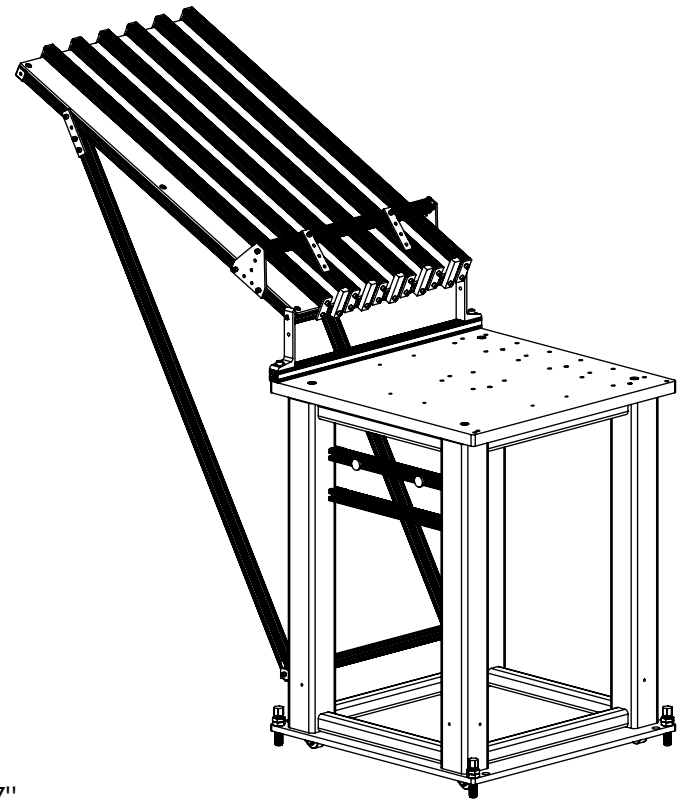
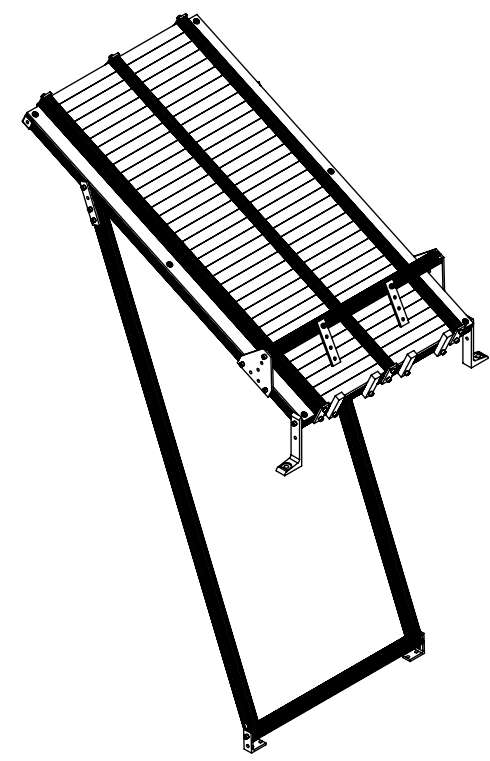
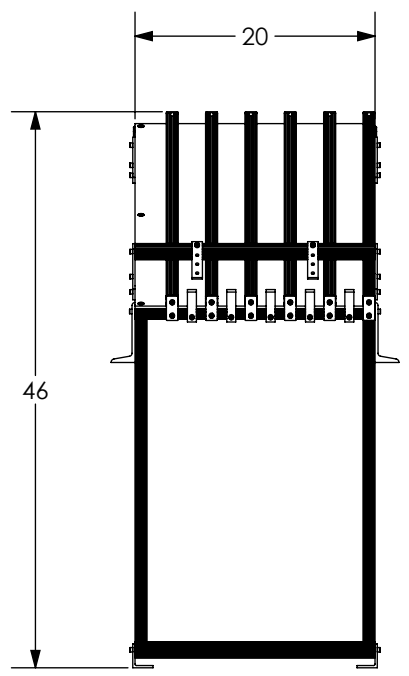
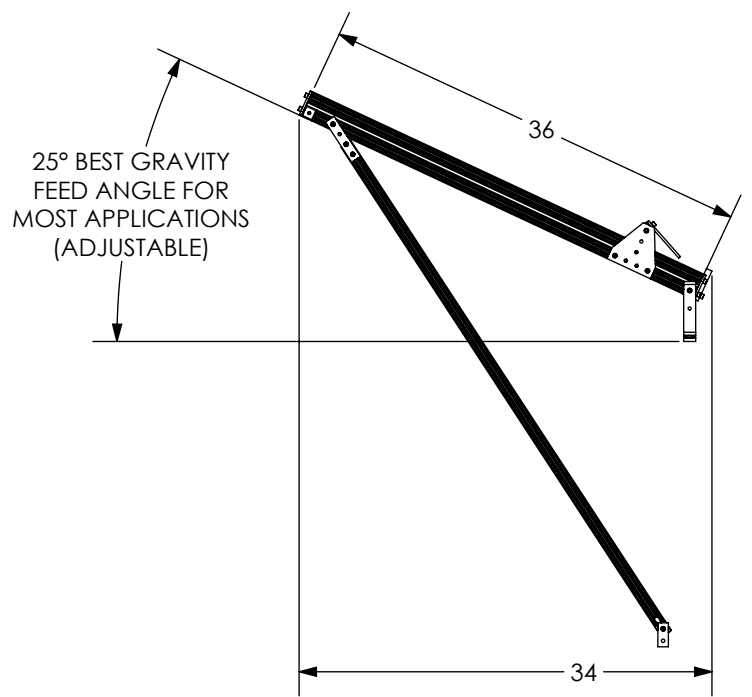


8 7 6 5 4 3 2 1

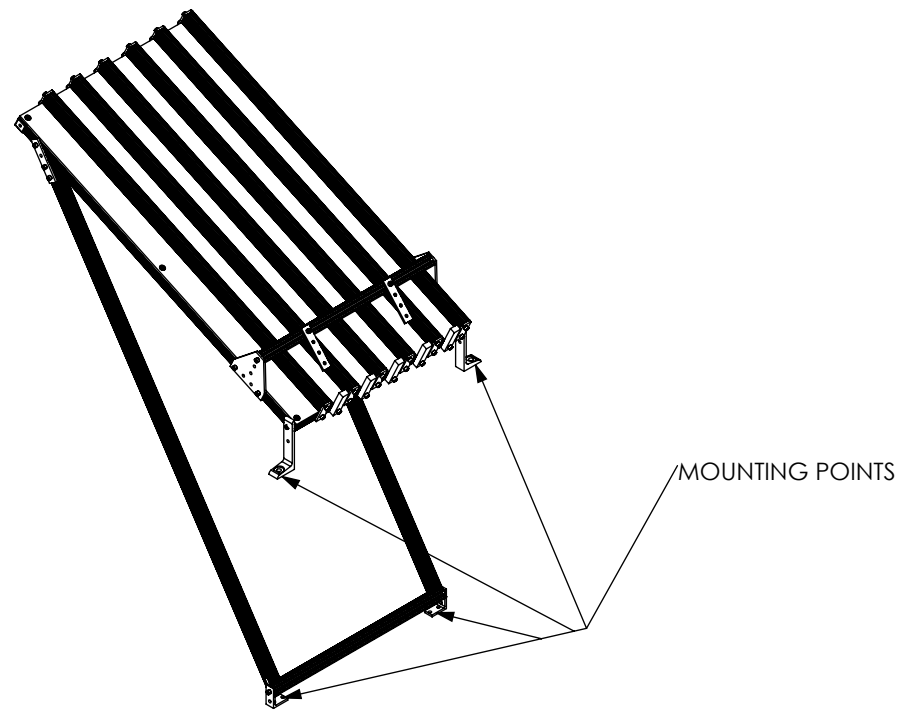
REV.	DESCRIPTION	DATE	APPROVED
A	RELEASE	11/15/2018	TO

- NOTES:
1. MATERIAL: ANODIZED ALUMINUM AND PLASTIC
 2. STOCK SHAPES ACCEPTED: ROUND OR RECTANGULAR
 3. STOCK SIZE ACCEPTED: ADJUSTABLE FOR UP TO 17" LONG STOCK (W/ 1 COLUMN)
 4. COLUMNS: 1 TO 5 STANDARD, ADDITIONAL AVAILABLE ON REQUEST
 5. BOTTOM OF STOCK SHOULD BE BURR FREE FOR RELIABLE GRAVITY FEEDING



SHOWN AS CONFIGURED FOR .5" X 1" X 7" STOCK IN TWO COLUMNS OF 36 EACH

SHOWN MOUNTED TO RD10014 MOBILE ROBOT STAND



DRAWN TROY OJALEHTO	DATE 11/15/2018		RAPID DESIGN SOLUTIONS, LLC	
CHECKED	DATE		TITLE STOCK FEEDER CHUTE DATASHEET	
ENGINEER	DATE	UNLESS OTHERWISE SPECIFIED DIMENSIONS ARE IN TOLERANCES ARE:		REV A
ENGINEER	DATE	DO NOT SCALE DRAWING		PART NUMBER RD10051
COG ENGR	DATE	LEGEND:		SCALE
MFG ENGR	DATE	■ CRITICAL DIM.	SIZE B	THIRD ANGLE PROJECTION
TOOLING	DATE	● TOOLING DIM.	SHEET 1 OF 1	
QUALITY	DATE	▲ PROCESS DIM.		
RELEASED	DATE	XX DIMENSION ID.		

THIS DOCUMENT AND THE INFORMATION CONTAINED HEREIN ARE PROPRIETARY TO RAPID DESIGN SOLUTIONS, LLC AND SHALL NOT BE USED BY, OR DISCLOSED IN WHOLE OR IN PART TO ANYONE OUTSIDE OF RAPID DESIGN SOLUTIONS, LLC WITHOUT THE PRIOR WRITTEN PERMISSION OF RAPID DESIGN SOLUTIONS, LLC.

8 7 6 5 4 3 2 1