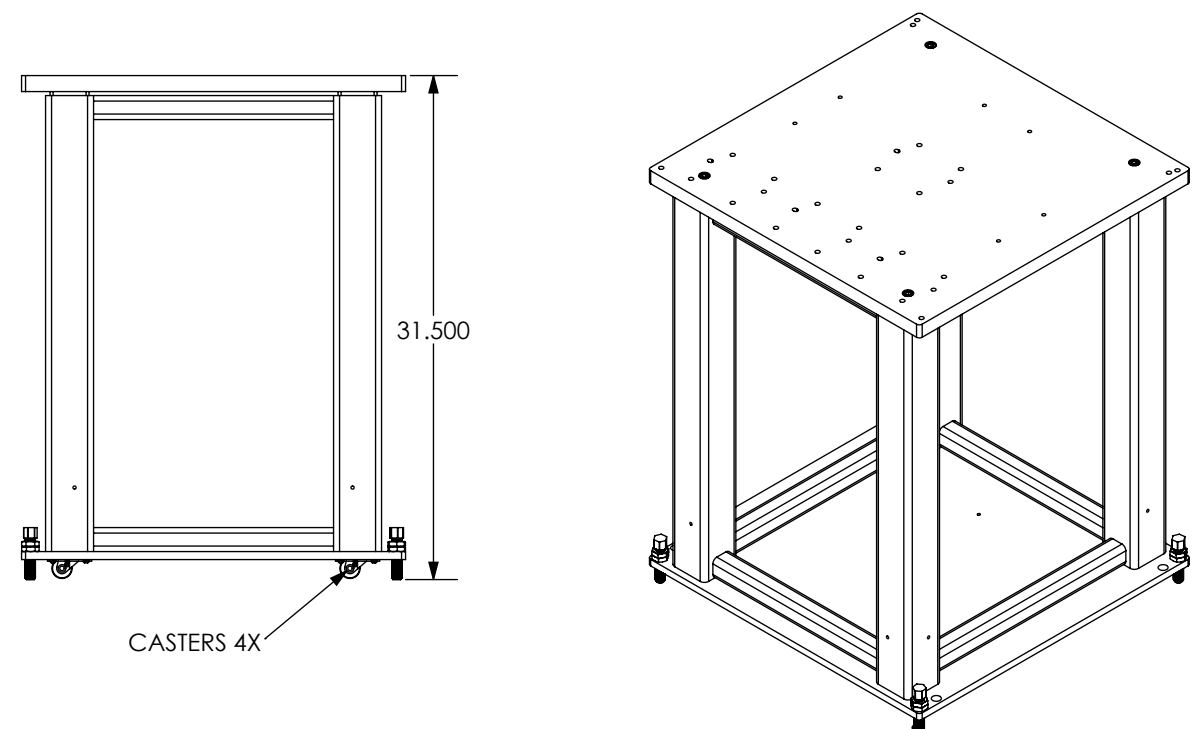
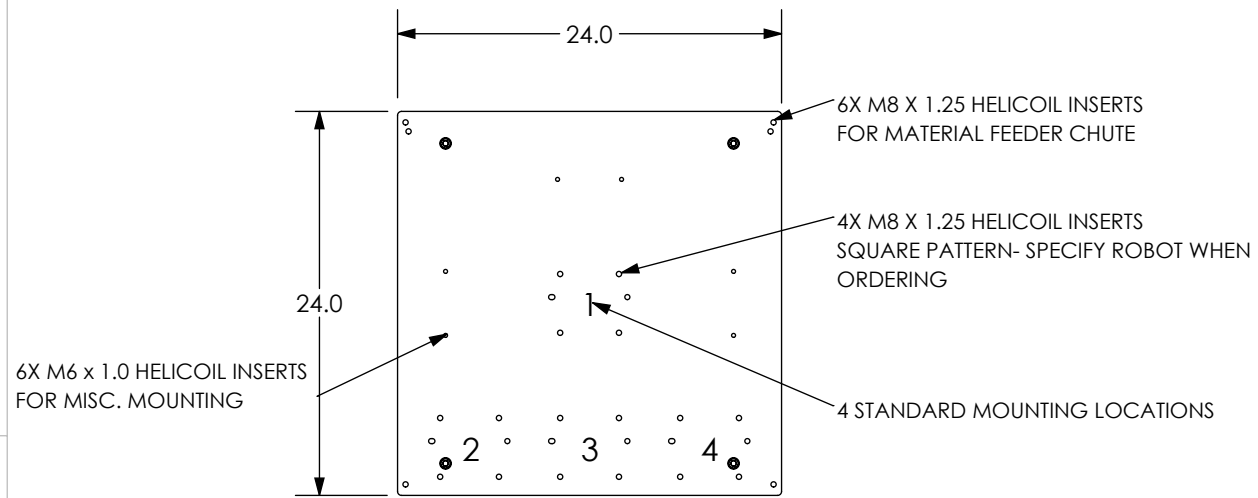


REV.	DESCRIPTION	DATE	APPROVED
A	RELEASED	11/01/2017	TO
B	REVISE TOP PLATE MATERIALS AND MOUNTING	3/4/2019	TO

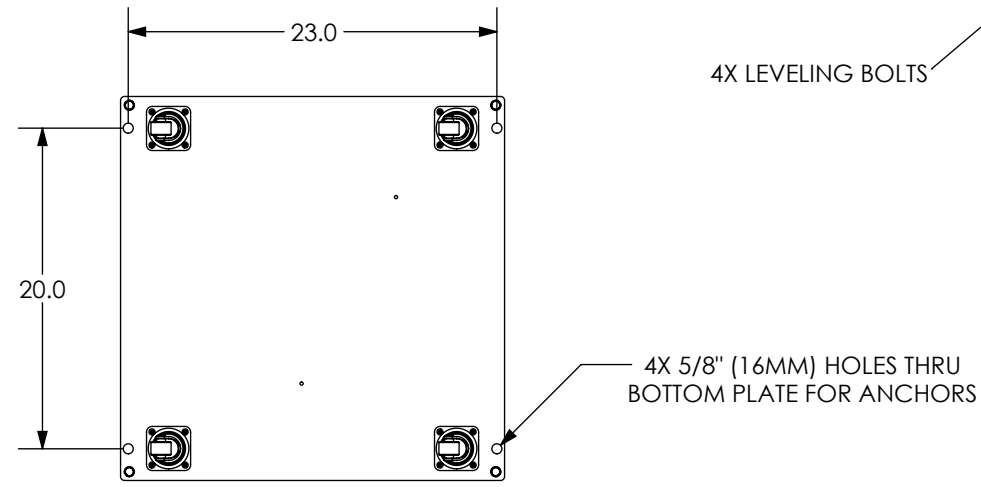
STANDARD ROBOT FITMENT CHART				
ROBOT	POSITION 1	POSITION 2	POSITION 3	POSITION 4
UNIVERSAL UR3®	*	*	*	*
UNIVERSAL UR5®	*	*	*	*
UNIVERSAL UR10®	*	*	*	*
EPSON C4®	*	*	*	*
EPSON C8®	*	*	*	*
OTHER-PLS SPECIFY	*	*	*	*

\*SPECIFY ROBOT WHEN ORDERING FOR CORRECT MOUNTING AND LOCATING HOLE PATTERNS



SPECS	
WEIGHT	APPROX 270LB
TOP PLATE MATERIAL	1" THICK HARD ANODIZED 6061 T6 ALUM. PLATE, PRECISION GROUND
BOTTOM PLATE MATERIAL	1/2" THICK POWDERCOATED STEEL PLATE
FRAME MATERIAL	1/4" WALL POWDERCOATED STEEL TUBING
ROBOT MOUNTING AND FIXTURE HOLES	MOUNTING AND FIXTURE HOLES ARE THREADED STEEL HELICOIL INSERTS

- APPLICATION AND SAFETY NOTES:**
- ROBOT CONTROLLER MAY BE MOUNTED ON BOTTOM PLATE OF STAND WITH STANDARD HOLES FOR UR
  - ROBOT STAND IS DESIGNED FOR USE ON CONCRETE FLOORS ONLY
  - ROBOT SHOULD NEVER BE OPERATED WITHOUT STAND BOLTED TO CONCRETE FLOOR WITH CONCRETE ANCHORS\*
  - ROBOT SHOULD NEVER BE OPERATED WITHOUT THE STAND LEVELING BOLTS SCREWED DOWN AND LOCKED TO PREVENT STAND FROM ROLLING!
- \*SOME COLLABORATIVE ROBOTS MAY BE OPERATED WITHOUT THE STAND BEING ANCHORED TO THE FLOOR- PLEASE CONSULT WITH YOUR ROBOT SUPPLIER OR INTEGRATOR FOR MORE INFORMATION



DRAWN TROY OJALEHTO	DATE 11/01/2017		RAPID DESIGN SOLUTIONS, LLC	
CHECKED	DATE		TITLE MOBILE ROBOT STAND DATASHEET	PART NUMBER RD10014-XXX
ENGINEER	DATE	<small>UNLESS OTHERWISE SPECIFIED DIMENSIONS ARE IN TOLERANCES ARE:  .X = ±.1  .XX = ±.010  .XXX = ±.005  .XXXX = ±.0010  ANGLE = ±1/2°  DO NOT SCALE DRAWING</small>	LEGEND:	SIZE B
COG ENGR	DATE		<input type="checkbox"/> CRITICAL DIM. <input type="checkbox"/> TOOLING DIM. <input type="checkbox"/> PROCESS DIM. <input type="checkbox"/> DIMENSION ID.	THIRD ANGLE PROJECTION
MFG ENGR	DATE		SCALE	REVISION B
TOOLING	DATE		SHEET 1 OF 1	
QUALITY	DATE	<small>THIS DOCUMENT AND THE INFORMATION CONTAINED HEREIN ARE PROPRIETARY TO RAPID DESIGN SOLUTIONS, LLC AND SHALL NOT BE USED BY, OR DISCLOSED IN WHOLE OR IN PART TO ANYONE OUTSIDE OF RAPID DESIGN SOLUTIONS, LLC WITHOUT THE PRIOR WRITTEN PERMISSION OF RAPID DESIGN SOLUTIONS, LLC.</small>		
RELEASED	DATE			