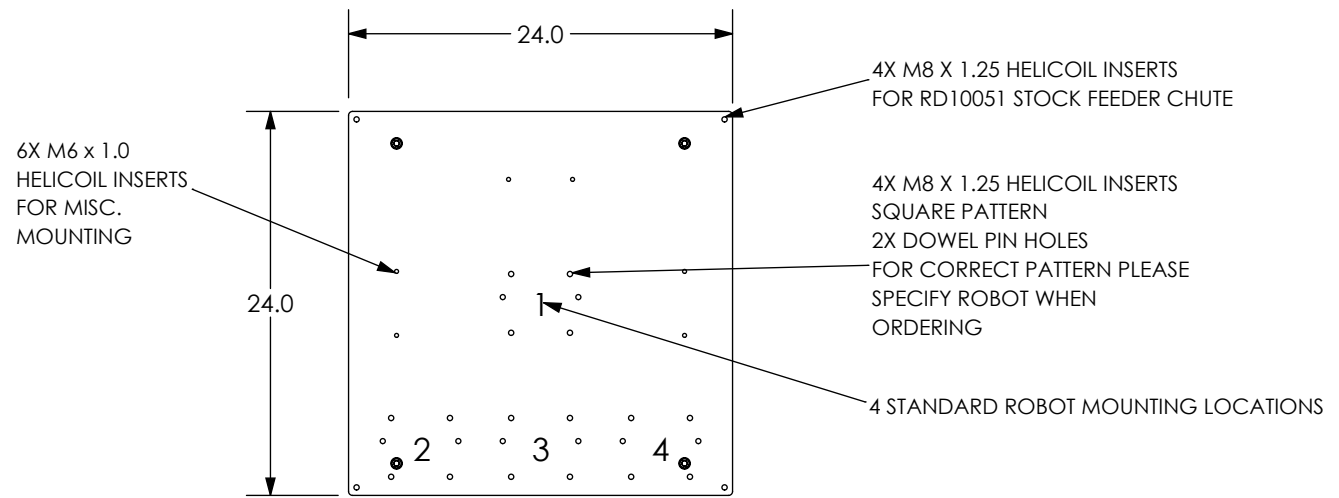


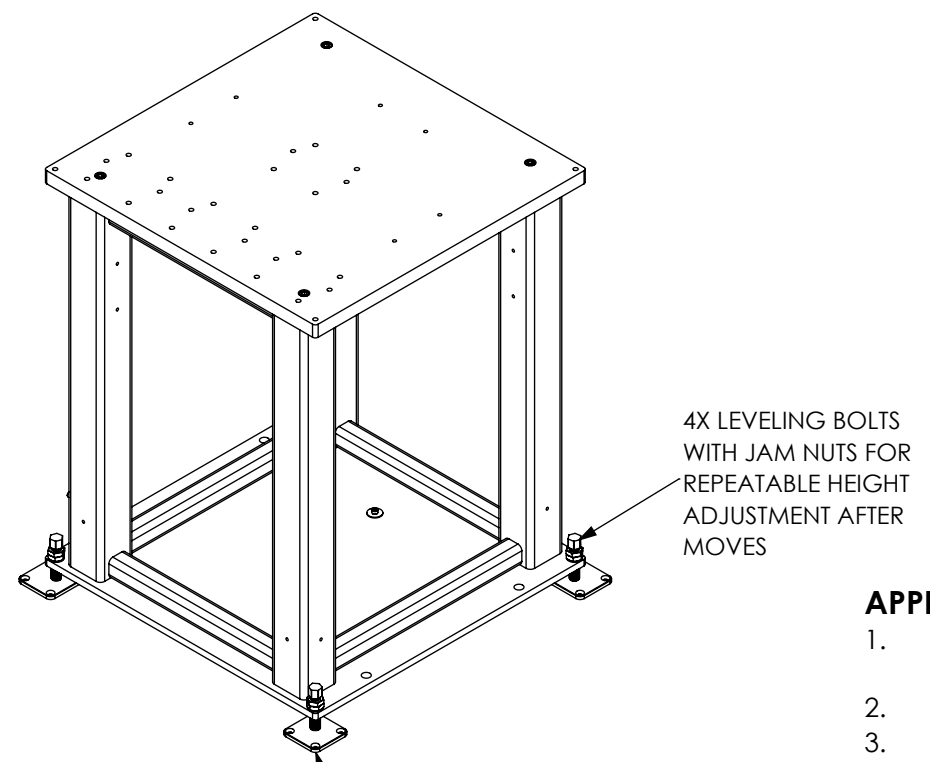
REV.	DESCRIPTION	DATE	APPROVED
A	RELEASED	11/01/2017	TO
B	REVISE TOP PLATE MATERIALS AND MOUNTING	3/4/2019	TO

STANDARD ROBOT FITMENT CHART				
ROBOT	POSITION 1	POSITION 2	POSITION 3	POSITION 4
UNIVERSAL UR3®	*	*	*	*
UNIVERSAL UR5®	*	*	*	*
UNIVERSAL UR10®	*	*	*	*
EPSON C4®	*	*	*	*
EPSON C8®	*	*	*	*
OTHER-PLS SPECIFY	*	*	*	*

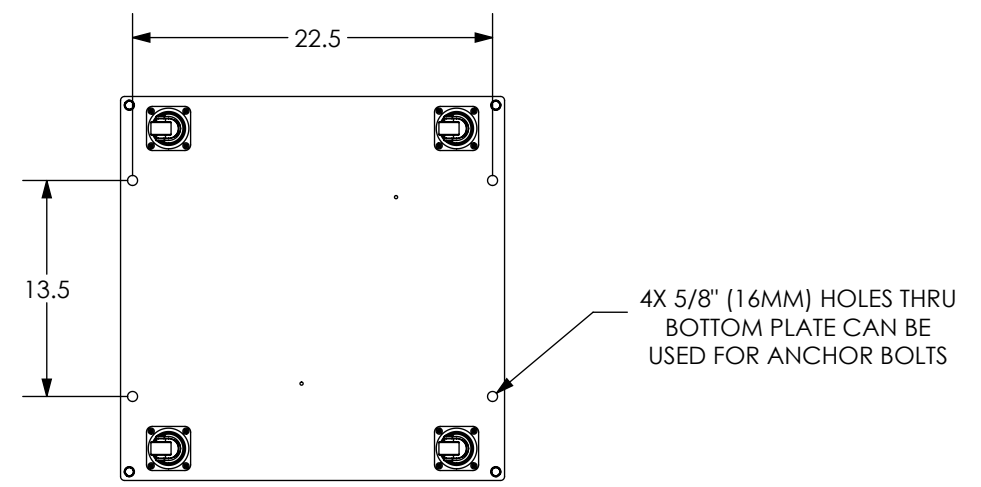
*SPECIFY ROBOT WHEN ORDERING FOR CORRECT MOUNTING AND LOCATING HOLE PATTERNS



SPECS	
WEIGHT	APPROX. 270LB
TOP PLATE MATERIAL	1" THICK ANODIZED MIC-6 ALUM. PLATE, PRECISION GROUND
BOTTOM PLATE MATERIAL	1/2" THICK POWDERCOATED STEEL PLATE
FRAME MATERIAL	1/4" WALL POWDERCOATED STEEL TUBING
ROBOT MOUNTING AND FIXTURE HOLES	MOUNTING AND FIXTURE HOLES ARE THREADED STEEL HELICOIL INSERTS



M6 HOLES IN POSTS ALLOW MOUNTING OF RD10051 STOCK FEEDER CHUTE OR OTHER HARDWARE



SHOWN WITH 4X **OPTIONAL** LOW PROFILE STAINLESS FLOOR PLATES. THESE ARE FASTENED TO THE FLOOR AT DIFFERENT WORK STATIONS FOR REPEATABLE POSITIONING WHEN STAND IS MOVED BETWEEN ROBOT SETUPS (AVOID RE-TEACHING POINTS)

APPLICATION AND SAFETY NOTES:

- ROBOT CONTROLLER MAY BE MOUNTED ON BOTTOM PLATE OF STAND WITH STANDARD HOLES FOR UR
- OPTIONAL** PENDANT/AIR VALVE MOUNTING RAIL KIT AVAILABLE
- ROBOT STAND IS DESIGNED FOR USE ON CONCRETE FLOORS ONLY
- ROBOT SHOULD NEVER BE OPERATED WITHOUT STAND BOLTED TO CONCRETE FLOOR WITH CONCRETE ANCHORS*
- ROBOT SHOULD NEVER BE OPERATED WITHOUT THE STAND LEVELING BOLTS SCREWED DOWN AND LOCKED TO PREVENT STAND FROM ROLLING!

*SOME COLLABORATIVE ROBOTS MAY BE OPERATED WITHOUT THE STAND BEING ANCHORED TO THE FLOOR- PLEASE CONSULT WITH YOUR ROBOT SUPPLIER OR INTEGRATOR FOR MORE INFORMATION

THIS DOCUMENT AND THE INFORMATION CONTAINED HEREIN ARE PROPRIETARY TO RAPID DESIGN SOLUTIONS, LLC AND SHALL NOT BE REPRODUCED WITHOUT THE PRIOR WRITTEN PERMISSION OF RAPID DESIGN SOLUTIONS, LLC. SPECIFICATIONS SUBJECT TO CHANGE WITHOUT NOTICE. © 2019 Rapid Design Solutions, LLC

DRAWN TROY OJALEHTO	DATE 11/01/2017		RAPID DESIGN SOLUTIONS, LLC		
CHECKED	DATE		TITLE MOBILE ROBOT STAND DATASHEET	PART NUMBER RD10014-XXX	
ENGINEER	DATE	<small>UNLESS OTHERWISE SPECIFIED DIMENSIONS ARE IN TOLERANCES ARE: X=±.1 .XX=±.010 .XXX=±.005 .XXXX=±.0010 ANGLE=±1/2° DO NOT SCALE DRAWING</small>	SIZE B	THIRD ANGLE PROJECTION	
COG ENGR	DATE		LEGEND:	SCALE	REVISION B
MFG ENGR	DATE		<input type="checkbox"/> CRITICAL DIM. <input type="checkbox"/> TOOLING DIM. <input type="checkbox"/> PROCESS DIM. <input type="checkbox"/> DIMENSION ID.	REVISION B	SHEET 1 OF 1
TOOLING	DATE				
QUALITY	DATE				
RELEASED	DATE				