

**SPECIFICATIONS:**

1. MATERIAL: HARD ANODIZED ALUMINUM AND STEEL
2. MAX PRESSURE 150 PSIG
3. VISE CLOSING TORQUE: ADJUSTABLE FROM 5 TO 35 FT-LB
4. 225 DEGREES VISE HANDLE ROTATION
5. 1/4" PUSH TO CONNECT AIR LINE FITTINGS INCLUDED (1/8 NPT)
6. OPTIONAL VISE OPEN AND VISE CLOSED SENSORS

COMPATIBILITY	NOTE
KURT® D688®	STANDARD
KURT® DX6®	STANDARD
KURT® 3600V®	STANDARD
KURT® 3610V®	STANDARD
SELECT CHICK® VISES	REQUIRES HEX ADAPTER & ANTI-ROTATION BLOCKS
OTHER BRANDS	SEND US YOUR VISE BRAND/MODEL & WE'LL QUOTE

**Now Shipping from Stock!**

[sales@rapiddesignsolutions.com](mailto:sales@rapiddesignsolutions.com)

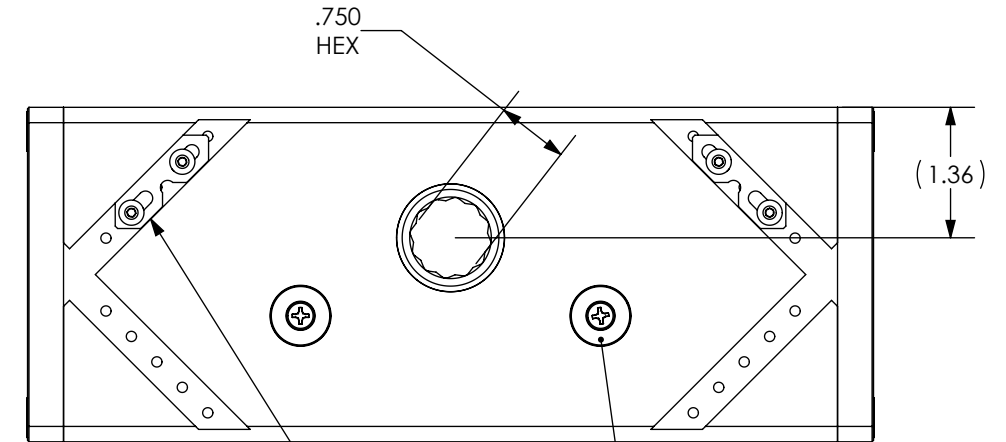
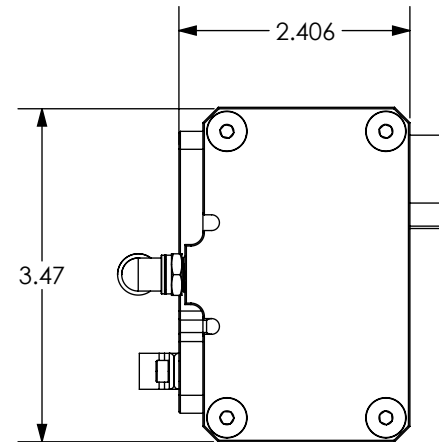
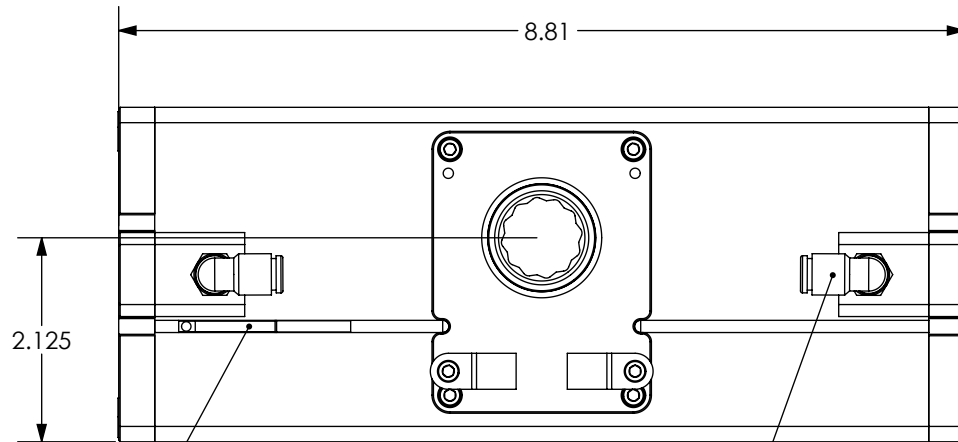
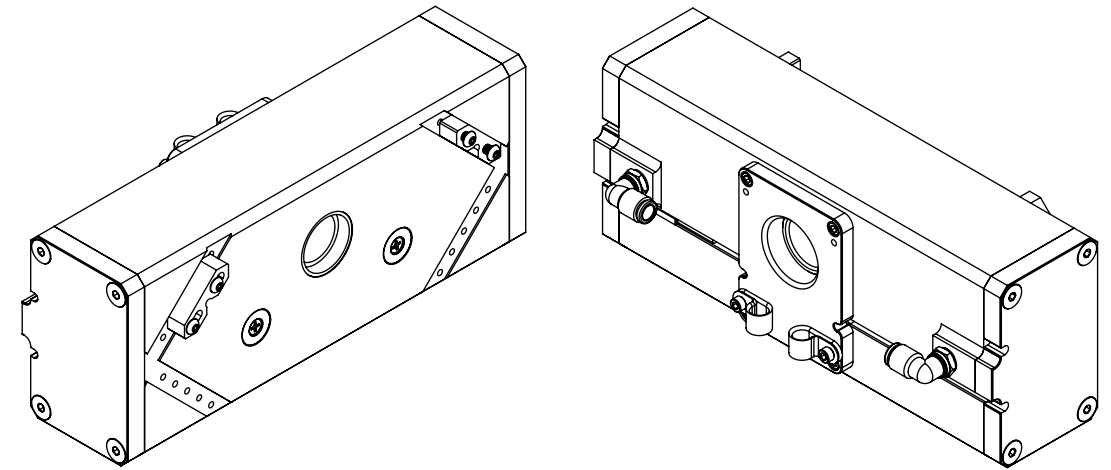
[rapiddesignsolutions.com/cnc-vise-actuator](http://rapiddesignsolutions.com/cnc-vise-actuator)

**425-232-8999**

REV.	DESCRIPTION	DATE	APPROVED
A	SALES DWG RELEASE	6/01/2018B1	T.OJALEHTO
B	REV B ACTUATOR UPDATE	1/8/2019	T.OJALEHTO

**PNEUMATIC VISE ACTUATOR FOR MACHINE TENDING ROBOTIC WORK CELLS!**

This high precision vise actuator/closer helps you automate your CNC by allowing a Robot to load and unload the workpiece without a human operator. Operates almost any existing 6" milling machine vise saving you the high cost of new hydraulic vises and pump systems when you need to quickly automate your existing processes! Order with optional IP67 switches for a closed loop workholding system.



4MM C-SLOT FOR OPTIONAL IP67 VISE OPEN AND CLOSE SENSOR SWITCHES

1/4" QUICK DISCONNECT FITTINGS

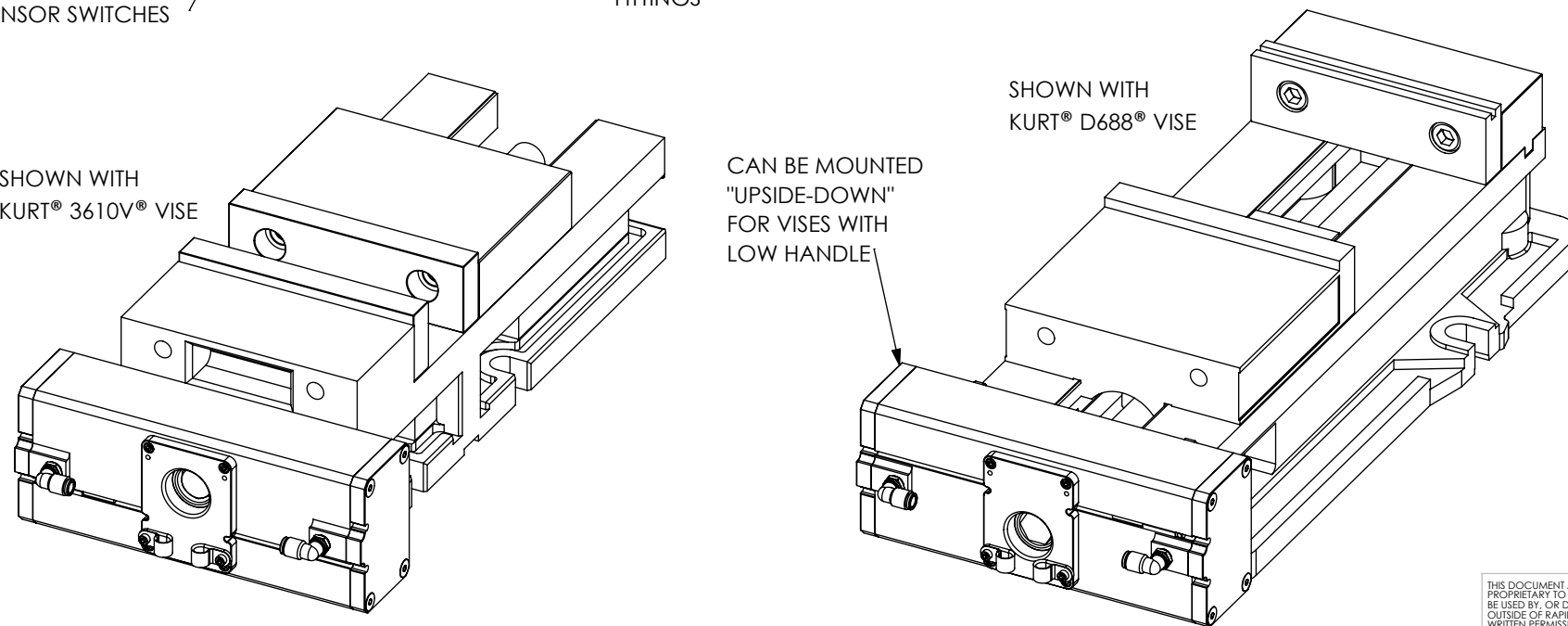
ANTI-ROTATION STOPS AVAILABLE FOR MOST 6" VISES

MAGNETIC MOUNTS SNAP THE VISE CLOSER SECURELY INPLACE WHILE ALLOWING QUICK REMOVAL AND ADJUSTMENT

SHOWN WITH KURT® 3610V® VISE

CAN BE MOUNTED "UPSIDE-DOWN" FOR VISES WITH LOW HANDLE

SHOWN WITH KURT® D688® VISE



**PATENT PENDING**

DRAWN TROY OJALEHTO	DATE 6/01/2018		RAPID DESIGN SOLUTIONS, LLC	
CHECKED	DATE		TITLE PNEUMATIC MACHINE TOOL VISE ACTUATOR DATASHEET	PART NUMBER RD10024
ENGINEER	DATE	<small>UNLESS OTHERWISE SPECIFIED DIMENSIONS ARE IN TOLERANCES ARE:                  .X=±.030                  .XX=±.010                  .XXX=±.005                  .XXXX=±.0010                  ANGLE=±1/2°                  DO NOT SCALE DRAWING</small>	SIZE B	THIRD ANGLE PROJECTION
ENGINEER	DATE		LEGEND:	SCALE
COG ENGR	DATE		■ CRITICAL DIM. ● TOOLING DIM. ▲ PROCESS DIM. XX DIMENSION ID.	SHEET 1 OF 1
MFG ENGR	DATE		REV B	
TOOLING	DATE			
QUALITY	DATE			
RELEASED	DATE			

THIS DOCUMENT AND THE INFORMATION CONTAINED HEREIN ARE PROPRIETARY TO RAPID DESIGN SOLUTIONS, LLC AND SHALL NOT BE USED BY, OR DISCLOSED IN WHOLE OR IN PART TO ANYONE OUTSIDE OF RAPID DESIGN SOLUTIONS, LLC WITHOUT THE PRIOR WRITTEN PERMISSION OF RAPID DESIGN SOLUTIONS, LLC.